

## 35VA EI power transformer

P/N: SY1003-2748A1

### Schematic

Power: 35VA

Rated input: 100V/50Hz

Rated output: 200V, 6.3V

Insulation resistance:  $\geq 500M\Omega$

Primary-Secondary: 3750V/2mA/2S

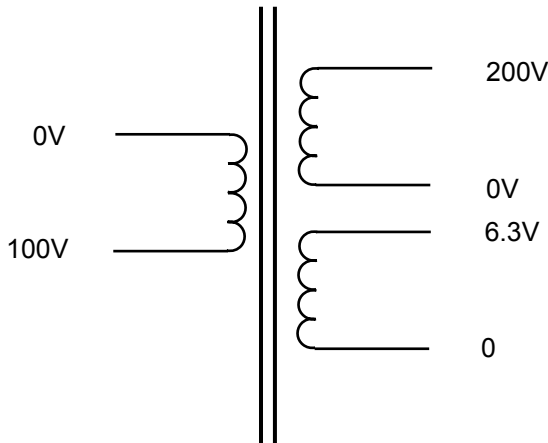
Insulation strength: Primary-Core: 3750V/2mA/5S

Secondary-Core: 1500V/2mA/5S

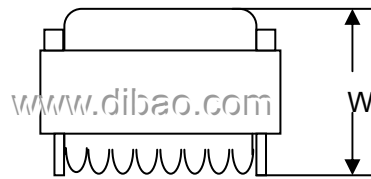
Insulation ranking: Class B

Temperature rise:  $\leq 65$

Lead wire:



Dimension (mm)	A	77
	W	61
	X	64
Mounting (mm)	E	50
	F	65
	G	M4
Weight (Kg)		1



EI power transformer

