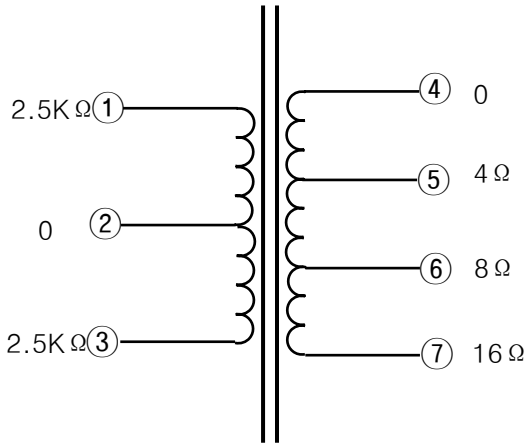


10VA EI core audio transformer

Schematic



P/N: 2590A7

Power: 10VA, push pull

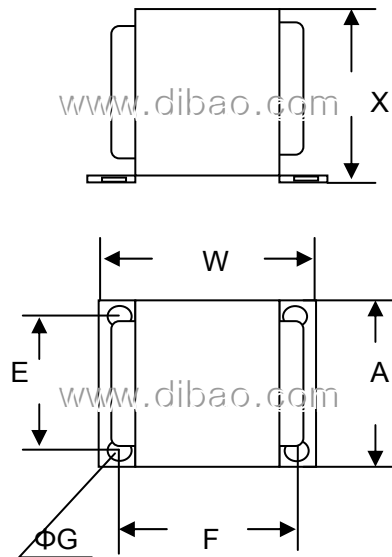
Primary: 2.5K-0-2.5K

Secondary: 0-4Ω-8Ω-16Ω

Frequency response 20Hz-15KHz

Dimension (mm)	A	76
	W	88
	X	65
Mounting (mm)	E	64
	F	73
	G	5
Weight (Kg)	≈1.8	

Audio output transformer



Audio output transformer