

## 195VA R-core power transformer

P/N: 2690A1

Power: 195VA

Rated input: 230V/50Hz

Rated output: (load)  
90V/1.5A, 20V/1.5A, 11V/1.5A, 9V/1.5A

Insulation resistance:  $\geq 500M\Omega$

Primary-Secondary: 3750V/2mA/2S

Insulation strength: Primary-Core: 3750V/2mA/5S

Secondary-Core: 1500V/2mA/5S

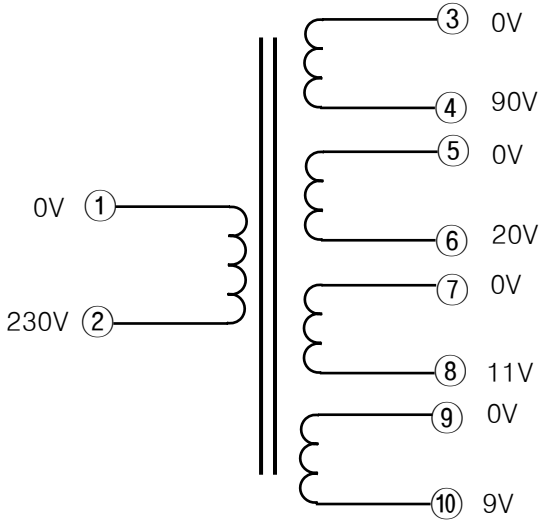
Insulation ranking: Class B

Temperature rise:  $\leq 65^{\circ}C$

Lead wire: ①②: 220mm

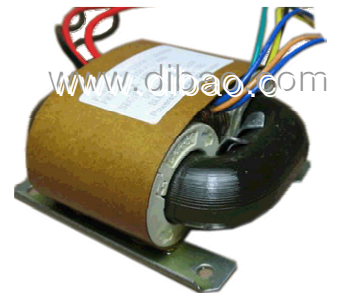
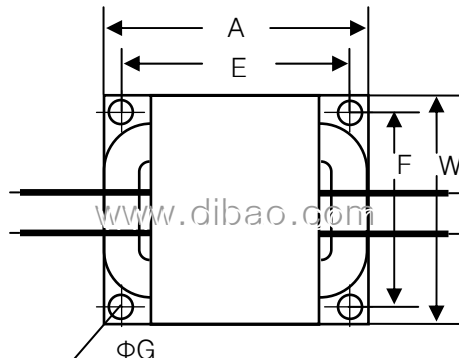
③④⑤⑥⑦⑧⑨⑩: 260mm

### Schematic



Dimension (mm)	A	139
	W	110
	X	59
Mounting (mm)	E	100
	F	85
	G	4
Weight (Kg)	$\approx 2.4$	

R-core power transformer



R-core power transformer