

41VA potted power transformer

P/N: A1461543

Power: 41VA

Rated input: 115V, 115V/50Hz

Rated output: (no load)16V-0-16V, 9V

Insulation resistance: $\geq 500M\Omega$

Insulation strength: Primary-Secondary: 4000V/2mA/2 S
Secondary-pot: 2500V/2mA/2S

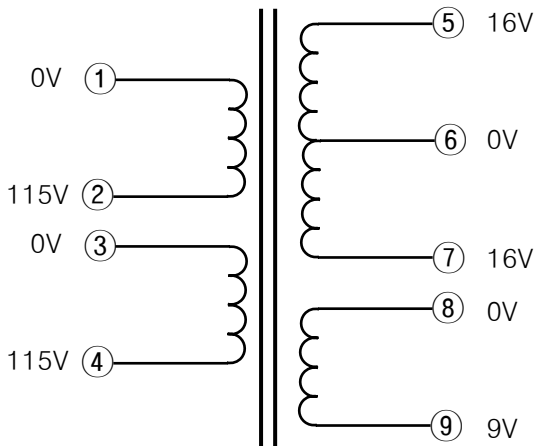
Insulation ranking: Class B

Temperature rise: $\leq 65^{\circ}C$

Lead wire: ①②③④: 300mm

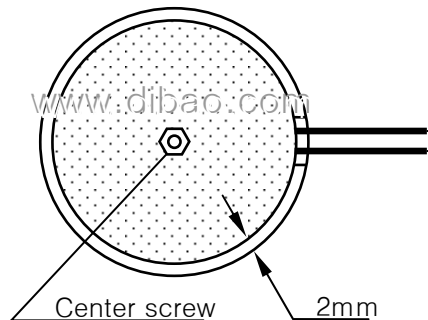
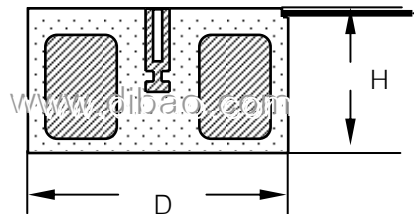
⑤⑥⑦⑧⑨: 300mm

Schematic



Dimension (mm)	D	87
	H	53
Mounting (mm)	Center screw	
	M5	
Weight (Kg)		

Potted power transformer



Potted power transformer
Transformer enclosed in
2mm thickness steel pot