

120VA potted power transformer

P/N: A1461544

Power: 120VA

Rated input: 115V, 115V/50Hz

Rated output: (no load)220V-0-220V, 15.5V, 8.7V

Insulation resistance: $\geq 500M\Omega$

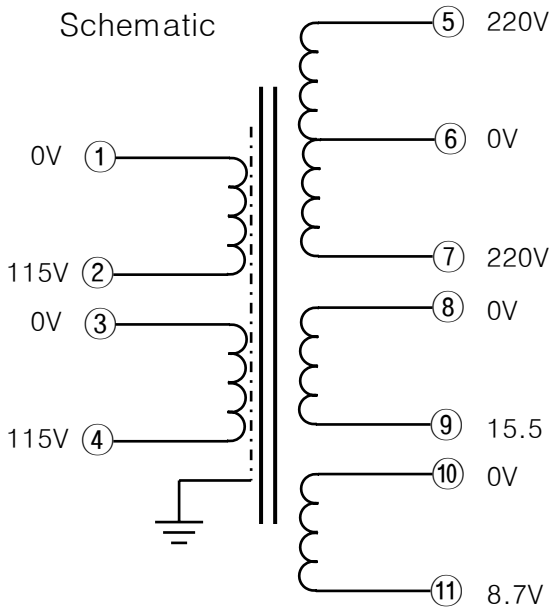
Insulation strength: Primary-Secondary: 4000V/2mA/2 S
Secondary-pot: 2500V/2mA/2S

Insulation ranking: Class B

Temperature rise: $\leq 65^{\circ}C$

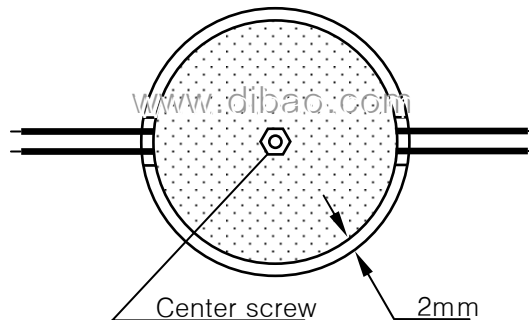
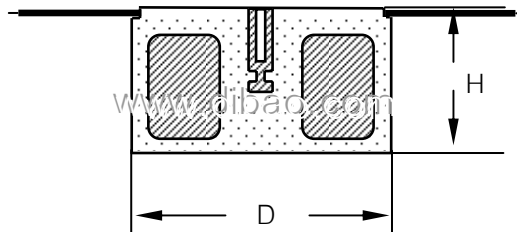
Lead wire: ①②③④: 300mm

⑤⑥⑦⑧⑨⑩⑪: 300mm



Dimension (mm)	D	125
	H	66
Mounting (mm)	Center screw	
	M8	
Weight (Kg)		

Potted power transformer



Potted power transformer
Transformer enclosed in
2mm thickness steel pot