

# 5VA Toroidal Power Transformer

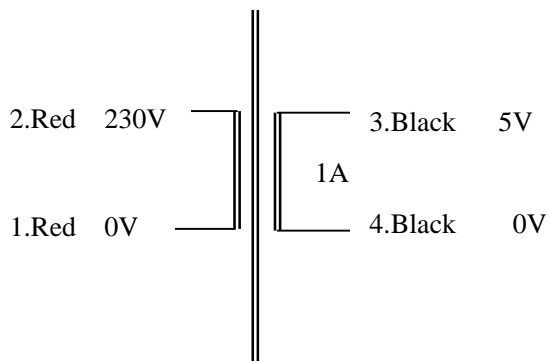
## 1.Product characteristics:

### 1.1. General description:

This device is a power transformer for use in low voltage power supply applications. It shall include 230Volt 50hertz primary and dual 5Volt 1AC amp secondary. The device must meet all requirements outlined in this specification.

### 2. Electrical specifications

#### 2.1.Circuit diagram



#### 2.2.Electrical performance

2.2.1.Rated primary voltage:0-230Vac

2.2.2.Rated frequency:50Hz

2.2.3.Rated output capacity:4VA

2.2.4.Secondary voltage deviation and regulation:

Secondary	Output no-load voltage		Rated current	Output load voltage		Actual voltage regulation
	Rated	Actual measurement		Rated	Actual measurement	
S1:3-4	5Vac ± 5%	5.07Vac ± 5%	AC 1A	4Vac ± 5%	4.3Vac ± 5%	15%

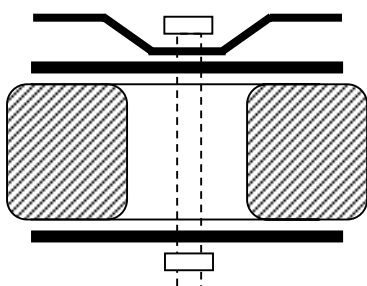
#### 2.2.5.No-load current

The no load current shall current not exceed 5mA when a test voltage of 230V/50Hz is applied across the 220Vac primary input terminal.

#### 2.2.6. No-load loss

The no-load loss shall not exceed 0.33Watt when a test voltage of 230V/50Hz is applie across the 230Vac primary input terminal.

The Picture Of Installation



The Picture Of Form

